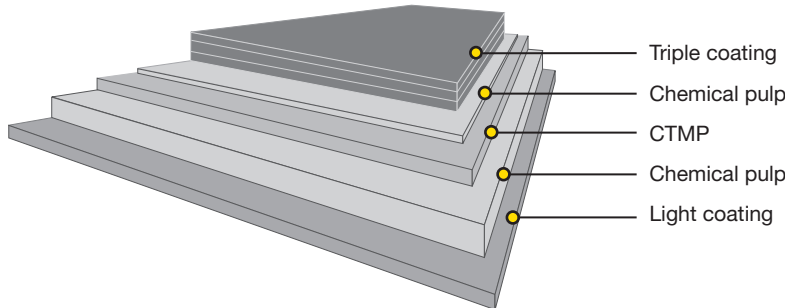


Fully coated CTMP board with coated reverse



Issued: 02.2014
Cancels: 05.2013

Technical specification

Property / Unit	Tolerance	Standards											
Grammage, g/m ²	+3%/-5%	200	220	240	260	280	300	315	325	350	370	400	ISO 536
Thickness, µm	±5%	295	325	360	400	440	475	505	535	585	625	675	ISO 534
Bending stiffness DIN 5° MD, mNm	-15%	13.1	17.4	22.8	33.7	43.0	51.3	59.1	66.8	78.7	91.7	109.8	ISO 2493
Bending stiffness DIN 5° CD, mNm	-15%	6.1	7.8	10.0	14.3	18.3	22.4	25.9	30.9	35.9	42.7	51.5	
Bending moment Taber 15° MD, mNm	-15%	7.4	9.5	12.8	17.0	21.5	25.8	29.3	33.3	38.6	43.5	52.2	
Bending moment Taber 15° CD, mNm	-15%	3.4	4.3	5.8	7.7	9.8	11.7	13.3	14.0	17.9	19.8	24.2	
Bending resistance L&W 15° MD, mN	-15%	154	196	264	353	445	535	608	690	800	900	1080	
Bending resistance L&W 15° CD, mN	-15%	70	90	117	160	202	243	276	290	370	410	500	
Moisture, %	±1, ±1.5 *	7.2	7.4	8.0	8.1	8.3	8.6	8.7	8.7	8.9	9.1	9.3	ISO 287
ISO Brightness C/2°, %, Top	min. 87	90	90	90	90	90	90	90	90	90	90	90	ISO 2470
ISO Brightness C/2°, %, Reverse	min. 85	88	88	88	88	88	88	88	88	88	88	88	
CIE Whiteness D65/10°, Top		120	120	120	120	120	120	120	120	120	120	120	ISO 11475
CIE Whiteness D65/10°, Reverse		114	114	114	114	114	114	114	114	114	114	114	
Surface Smoothness, PPS 10, µm	max. 1.7	1.0	1.0	1.0	1.0	1.0	1.0	1.0	1.0	1.0	1.0	1.0	ISO 8791-4
Gloss 75°, %		45	45	45	45	45	45	45	45	45	45	45	ISO 8254-1
Scott Bond, J/m ²	min. 100	145	145	145	145	145	145	145	145	145	145	145	TAPPI 569
Edge wicking**, g/mm.m	max. 1.0	0.5	0.5	0.5	0.5	0.5	0.5	0.5	0.5	0.5	0.5	0.5	
Cobb 60, g/m ² , Top	max. 60	30	30	30	30	30	30	30	30	30	30	30	ISO 535
Cobb 60, g/m ² , Reverse	max. 60	30	30	30	30	30	30	30	30	30	30	30	
Robinson chocolate test		max 0.5 for one year storage in reels/pallets											PrEN1230-2

*) For 325 – 400 g/m²

**) Hardsized available in all grammages

All properties according to Fors Mill measurements.

Test climate 23°C / 50 % RH (according to ISO 187).

Tolerances based upon 95 % confidence limits, apply to reel/pallet average. In order to verify, reel/pallet average shall be based on 5 single measurements randomly sampled within the reel/pallet. These averages will be for at least 19 of 20 reels/pallets within the specification limits.

Certificates

Quality management ISO 9001
Environmental management ISO 14001
Product safety ISO 22000
Health and safety OHSAS 18001
Energy management ISO 50001
Forest certification and Chain-of-Custody, FSC® (logo licence number FSC-C105192), PEFC™ (logo licence number PEFC/02-31-71)

Paperboard is recyclable 