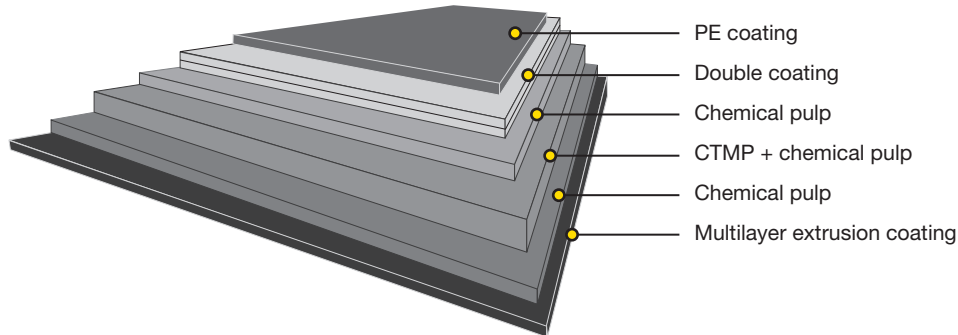


Performa Natura™ Barr

Fully coated CTMP board with uncoated reverse



Issued: 08.2014
Cancels: 02.2010

Technical specification

	20+195+42EB56	20+230+42EB56	20+255+42EB56	20+270+42EB56	20+295+42EB56	20+320+42EB56	20+350+42EB56	Standards
Polymer coated board:								
Grammage, g/m ²	271	306	331	346	371	396	426	ISO 536
PE Topside, g/m ²	20	20	20	20	20	20	20	Mill method
PE Reverse, g/m ²	56	56	56	56	56	56	56	
Thickness, µm	330	390	420	460	500	540	580	ISO 534
Baseboard:								
Grammage, g/m ²	195	230	255	270	295	320	350	ISO 536
Thickness, µm	260	320	350	390	430	470	510	ISO 534
Bending resistance L&W 15° MD, mN	120	215	270	360	475	600	760	ISO 2493-1
Bending resistance L&W 15° CD, mN	55	95	125	170	210	270	340	
Moisture, %	6.5	6.5	6.5	6.5	6.5	6.5	6.5	ISO 287
Brightness D65/10°, Top	85	85	85	85	85	85	85	ISO 2470-2
Surface Smoothness, Bendtsen, ml/min	40	40	40	50	50	50	50	ISO 8791-2
Scott Bond, J/m ²	200	200	200	200	200	200	200	TAPPI 569 om-09

Also available without PE-coating on topside

All properties according to Imatra Mills' measurements.

Test climate 23°C/50% RH (according to ISO 187). In order to verify, reel/pallet average shall be based on 5 single measurements randomly sampled within the reel/pallet. These averages will be for at least 19 of 20 reels/pallets within the specification limits.

Certificates

Quality management ISO 9001
 Environmental management ISO 14001
 Product safety ISO 22000
 Health and safety OHSAS 18001
 Energy management ISO 50001
 Forest certification and Chain-of-Custody, FSC® (logo licence number FSC-C105192), PEFC™ (logo licence number PEFC/02-31-71)

Paperboard is recyclable 