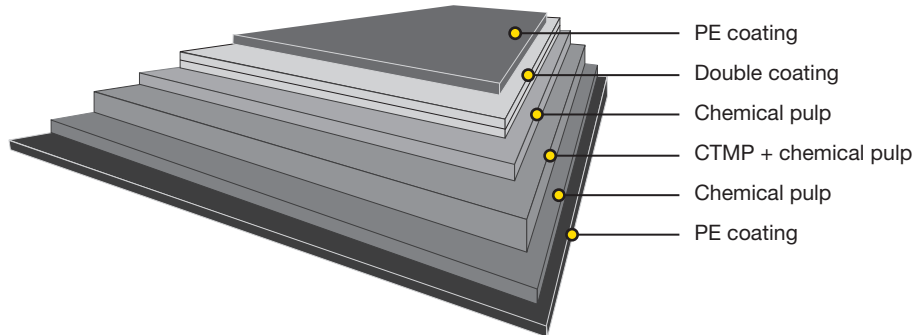


# Performa Natura™ 2PE

Fully coated CTMP board with uncoated reverse



Issued: 08.2014  
Cancels: 08.2010

## Technical specification

Polymer coated board:	Tolerance	12+195+15	12+210+15	12+230+15	12+255+15	12+270+15	12+295+15	12+320+15	12+350+15	Standards
Grammage, g/m <sup>2</sup>		222	237	257	282	297	322	347	377	ISO 536
PE Topside, g/m <sup>2</sup>		12	12	12	12	12	12	12	12	Mill method
PE Reverse, g/m <sup>2</sup>		15	15	15	15	15	15	15	15	
Thickness, µm		286	306	346	376	416	456	496	536	ISO 534
<b>Baseboard:</b>										
Grammage, g/m <sup>2</sup>	+ - 4 %	195	210	230	255	270	295	320	350	ISO 536
Thickness, µm	+ - 4 %	260	280	320	350	390	430	470	510	ISO 534
Bending stiffness DIN 5° MD, mNm		10.2	13.2	18.3	23.0	30.6	40.4	51.0	64.6	
Bending stiffness DIN 5° CD, mNm		4.7	6.0	8.1	10.6	14.5	17.9	23.0	28.9	
Bending moment Taber 15° MD, mNm		5.8	7.5	10.4	13.0	17.4	22.9	29.0	36.7	
Bending moment Taber 15° CD, mNm		2.7	3.4	4.6	6.0	8.2	10.1	13.0	16.4	
Bending resistance L&W 15° MD, mN		120	155	215	270	360	475	600	760	ISO 2493-1
Bending resistance L&W 15° CD, mN		55	70	95	125	170	210	270	340	
Moisture, %		6.5	6.5	6.5	6.5	6.5	6.5	6.5	6.5	ISO 287
ISO Brightness C/2°, %		85	85	85	85	85	85	85	85	ISO 2470-1
Brightness D65/10°, Top		85	85	85	85	85	85	85	85	ISO 2470-2
Surface Smoothness, PPS 10, µm		1.2	1.2	1.2	1.2	1.2	1.2	1.2	1.2	ISO 8791-4
Surface Smoothness, Bendtsen, ml/min		40	40	40	40	50	50	50	50	ISO 8791-2
Gloss 75°, %		45	45	45	45	45	45	45	45	ISO 8254-1
Scott Bond, J/m <sup>2</sup>		200	200	200	200	200	200	200	200	TAPPI 569 om-09
Robinson chocolate test		max 0.5 for one year storage in reels/pallets								EN 1230-2

OBA not added

All properties according to Imatra Mill measurements.

Test climate 23°C/50% RH (according to ISO 187). In order to verify, reel/pallet average shall be based on 5 single measurements randomly sampled within the reel/pallet. These averages will be for at least 19 of 20 reels/pallets within the specification limits.

### Certificates

Quality management ISO 9001  
Environmental management ISO 14001  
Product safety ISO 22000  
Health and safety OHSAS 18001  
Energy management ISO 50001  
Forest certification and Chain-of-Custody, FSC® (logo licence number FSC-C105192), PEFC™ (logo licence number PEFC/02-31-71)

Paperboard is recyclable 