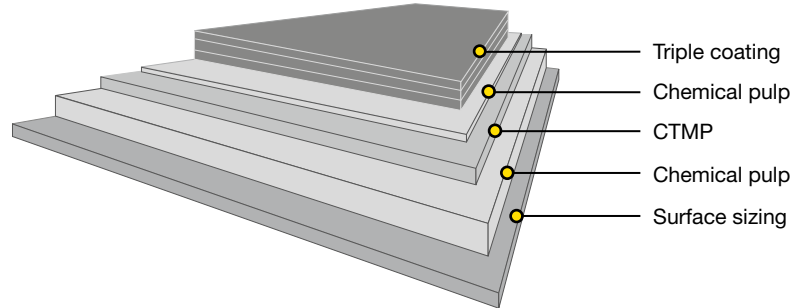


Fully coated CTMP board with cream uncoated reverse

Performa Cream is a coated GC2 board with a three-layer fibre construction and CTMP (chemi-thermomechanical pulp) in the middle layer. It is triple-pigment-coated on the top side, with an uncoated cream reverse side. Performa Cream PE is also available hard-sized (HS).



Issued: 12.2017
Cancels: 06.2017

Technical specification

Property / Unit	Tolerance											Standards
Grammage, g/m ²	±4%	180	200	220	230	245	260	290	315	340	360	ISO 536
Thickness, µm	±5%	285	310	340	360	405	440	500	560	610	650	ISO 534
Bending resistance L&W 15° MD, mN	-15%	115	172	224	266	320	385	510	670	825	930	ISO 2493
Bending resistance L&W 15° CD, mN	-15%	50	72	94	111	140	170	230	300	375	420	
Bending moment Taber 15° MD, mNm	-15%	5.6	8.3	10.8	12.8	15.5	18.6	24.6	32.4	39.8	44.9	
Bending moment Taber 15° CD, mNm	-15%	2.4	3.5	4.5	5.4	6.8	8.2	11.1	14.5	18.1	20.3	
Bending stiffness DIN 5° MD, mNm	-15%	11.0	15.3	19.6	22.6	29.9	36.4	51.2	64.0	78.7	91.8	
Bending stiffness DIN 5° CD, mNm	-15%	5.0	5.8	7.5	8.8	12.1	15.3	21.9	27.5	32.1	40.5	
Moisture, %	±1, ±1.5 *	7.7	7.7	7.8	7.9	7.9	8.0	8.4	8.7	8.9	9.1	ISO 287
ISO Brightness C/2°, %, Top	min. 87	90	90	90	90	90	90	90	90	90	90	ISO 2470-1
Brightness D65/10°, %, Top		97	97	97	97	97	97	97	97	97	97	ISO 2470-2
CIE Whiteness D65/10°, Top		120	120	120	120	120	120	120	120	120	120	ISO 11475
Surface Smoothness, PPS 10, µm, Top	max. 1.7	1.0	1.0	1.0	1.0	1.0	1.0	1.0	1.0	1.0	1.0	ISO 8791-4
Gloss 75°, %		45	45	45	45	45	45	45	45	45	45	ISO 8254-1
Scott Bond, J/m ²	min. 100	145	145	145	145	145	145	145	145	145	145	TAPPI 569
Edge wicking**, g/mm.m	max. 1.0	0.5	0.5	0.5	0.5	0.5	0.5	0.5	0.5	0.5	0.5	
Cobb 60, g/m ² , Top	max. 60	30	30	30	30	30	30	30	30	30	30	ISO 535
Cobb 60, g/m ² , Reverse		50	50	50	50	50	50	50	50	50	50	
Robinson chocolate test		max 0.5 for one year storage in reels/pallets										EN1230-2

*) For 315 – 360 g/m²
**) For hardsized

Fully coated CTMP board with cream uncoated reverse

Certificates

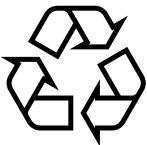
Quality management ISO 9001
 Environmental management ISO 14001
 Product safety FSSC 22000
 Health and safety OHSAS 18001
 Energy management ISO 50001
 EU Ecolabel registration SE/011/006, the ecological criteria for Copying and Graphic Paper 2011/333/EY, L149/12, 8.6.2011



FSC and PEFC certified board available upon request.

The EU Ecolabel confirms that the board fulfils the European Commission's ecological criteria for copying and graphic paper and is therefore only available for graphical end uses.

EU Ecolabel available upon request on graphical end uses.



Paperboard is recyclable

Key characteristics and main enduses

The odour and taint neutrality makes Performa Cream ideal for chocolate and confectionery packaging, and it is also used for food, pharmaceutical and healthcare products. Thanks to a triple-coated top side, combined with high brightness and whiteness for optimal visual appearance, Performa Cream gives a very good print result.

Printing and finishing techniques

The product can be used for different printing techniques such as offset-, flexo-, rotogravure- and digital printing. Regarding digital printing the product is suitable for several different sheet- or webfed presses. Inkjet, dry- or liquid toner technology can be used, although in some cases, pretreatment of substrate might be required. The most recent status of certificates can be checked from the press manufacturer's website or from local Stora Enso representatives. It is important to check the limitations of the equipment, particularly because of the exceptional difference in thickness and stiffness of board compared with paper for the same grammages. When running thicker substrates, optimal grain direction should be checked according to the press manufacturer's recommendations.

Essentially all of the same finishing processes apply for digitally printed works as for offset printed. Since a wide variety of digital printing equipment is available in the market, it is important that a new commercial print job is always preceded by a trial run including all required printing and converting process phases.

The product works very well for different finishing techniques such as embossing, hot foil stamping and others. It is suitable for laser coding and ink jet marking. Certificates according to PTS-DF 105/2013 and PTS-DF 103/2011 are available upon request.

Storage recommendations

For optimal printing results, the moisture proof wrapping should not be removed until the board has reached the temperature of the press room.

Pallet/Reel Weight (kg)	Difference in temperature between board and press room (press room temp. approx. 20°C)		
	10°C	20°C	30°C
400 kg	2 days	2 days	3 days
800 kg	2 days	3 days	4 days
1200 kg	2 days	4 days	5 days

The product properties, according to the specifications, are guaranteed for 12 months after the production date. In order to ensure product safety, the product must be well wrapped and stored in its original cover indoors, sheltered from rain and snow. The recommended storage conditions are 50-55% relative humidity and 20-23°C.

