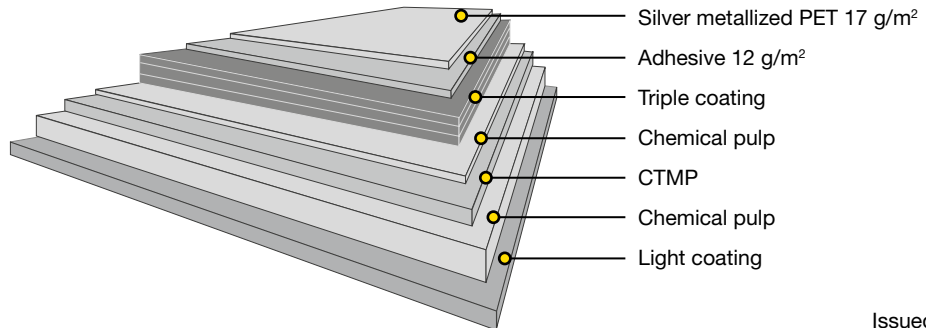




Performa Brilliance™ Metallized

Fully coated CTMP board with metallized PET film and light coated reverse

Performa Brilliance Metallized is a coated GC1 board with a metallized PET film. The board has a three-layer fibre construction, with CTMP (chemi-thermomechanical pulp) in the middle layer. The top side is silver metallized and the reverse side has one layer of pigment coating.



Issued: 06.2018
Cancels: 05.2018

Technical specification

Property / Unit	Tolerance	180+12+17	200+12+17	215+12+17	230+12+17	245+12+17	260+12+17	280+12+17	300+12+17	320+12+17	345+12+17	370+12+17	Standards
PE-laminated board:													
Grammage, g/m ²		209	229	246	262	278	294	315	336	357	383	409	ISO 536
Adhesive PE, 12 g/m ²		12	12	12	12	12	12	12	12	12	12	12	Mill method
Silver metallized PET film, µm		12	12	12	12	12	12	12	12	12	12	12	
Thickness, µm		279	329	354	384	414	439	479	519	559	609	649	ISO 534
Baseboard:													
Grammage, g/m ²	±4%	180	200	215	230	245	260	280	300	320	345	370	ISO 536
Thickness, µm	±5%	255	305	330	360	390	415	455	495	535	585	625**	ISO 534
Bending resistance L&W 15° MD, mN *	-15%	108	147	186	224	286	343	430	515	618	765	867**	ISO 2493
Bending resistance L&W 15° CD, mN *	-15%	53	72	91	110	140	167	210	250	303	375	425**	
Bending moment Taber 15° MD, mNm *	-15%	5.2	7.1	9.0	10.8	13.8	16.6	20.8	24.9	29.8	36.9	41.9**	
Bending moment Taber 15° CD, mNm *	-15%	2.6	3.5	4.4	5.3	6.8	8.1	10.1	12.1	14.6	18.1	20.5**	
Bending stiffness DIN 5° MD, mNm *	-15%	8.2	12.0	15.9	19.6	25.7	31.3	39.9	48.3	58.4	72.9	83.0**	
Bending stiffness DIN 5° CD, mNm *	-15%	4.4	6.2	8.0	9.9	12.8	15.4	19.6	20.1	28.6	35.6	41.0**	
Moisture, %	±1	6.2	6.8	7.2	7.8	8.0	8.1	8.3	8.6	8.7	8.8	9.1	ISO 287
ISO Brightness C/2°, %, Reverse	min. 87	90	90	90	90	90	90	90	90	90	90	90	ISO 2470-1
CIE Whiteness D65/10°, Reverse		120	120	120	120	120	120	120	120	120	120	120	ISO 11475
Scott Bond, J/m ²	min. 110	145	145	145	145	145	145	145	145	145	145	145	TAPPI 569
Cobb 60, g/m ² , Reverse	max. 60	30	30	30	30	30	30	30	30	30	30	30	ISO 535

*) Valid for the baseboard, the average stiffness contribution from the PET film is 2-4% in MD and 10-20% in CD, depending on the baseboard substance.

***) The values are preliminary

All properties according to Fors Mill measurements from board machine production.
Laboratory test climate 23°C/50% RH (According to ISO 187).
Tolerances based upon 95% confidence limits, apply to delivered reel/pallet average.
Bending moment Taber 15° and Bending resistance L&W 15° are binding, Bending stiffness DIN 5° are indicative.
Bending moment Taber 15° calculated from Bending resistance L&W 15°.



Performa Brilliance™ Metallized

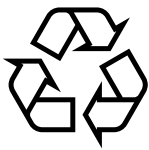
Fully coated CTMP board with metallized PET film and light coated reverse

Certificates

- Quality management ISO 9001
- Environmental management ISO 14001
- Product safety FSSC 22000
- Health and safety OHSAS 18001
- Energy management ISO 50001



FSC and PEFC certified board available upon request.



Paperboard is recyclable

Key characteristics and main enduses

Performa Brilliance Metallized provides excellent value, runnability and performance in applications that require a metallized surface to create a luxury feeling. The excellent smoothness and visual appearance of the board ensure superior visual quality for brands to excel. Performa Brilliance Metallized is used for various luxury packaging applications.

Storage recommendations

For optimal printing results, the moisture proof wrapping should not be removed until the board has reached the temperature of the press room.

Pallet/Reel Weight (kg)	Difference in temperature between board and press room (press room temp. approx. 20°C)		
	10°C	20°C	30°C
400 kg	2 days	2 days	3 days
800 kg	2 days	3 days	4 days
1200 kg	2 days	4 days	5 days

The product properties, according to the specifications, are guaranteed for 12 months after the production date. In order to ensure product safety, the product must be well wrapped and stored in its original cover indoors, sheltered from rain and snow. The recommended storage conditions are 50-55% relative humidity and 20-23°C.

