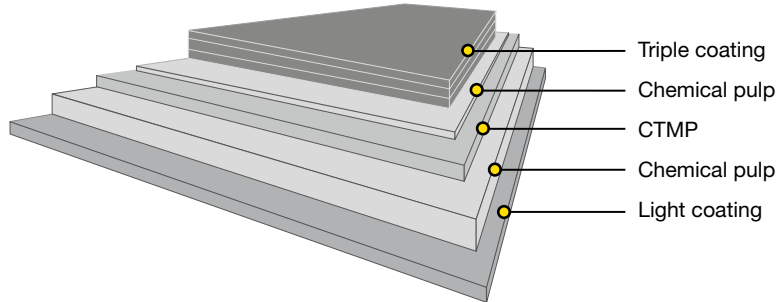


Performa Brilliance Linen™

Embossed fully coated CTMP board with light coated reverse

Performa Brilliance Linen is a GC1 board with a three-layer fibre construction and CTMP (chemi-thermomechanical pulp) in the middle layer. It is triple-pigment-coated on the top side, with one layer of coating on the reverse side. The top side has a linen embossing pattern.



Issued: 10.2017
Cancels: 08.2016

Technical specification

Property / Unit	Tolerance												Standards
		180	200	215	230	245	260	280	300	320	345		
Grammage, g/m ²	±4	180	200	215	230	245	260	280	300	320	345	ISO 536	
Moisture, %	±1	6.2	6.8	7.2	7.8	8.0	8.1	8.3	8.6	8.7	8.8	ISO 287	
ISO Brightness C/2°, %, Top	min. 89	92	92	92	92	92	92	92	92	92	92	ISO 2470-1	
ISO Brightness C/2°, %, Reverse	min. 87	90	90	90	90	90	90	90	90	90	90		
Brightness D65/10°, %, Top		98	98	98	98	98	98	98	98	98	98	ISO 2470-2	
CIE Whiteness D65/10°, Top		122	122	122	122	122	122	122	122	122	122	ISO 11475	
CIE Whiteness D65/10°, Reverse		120	120	120	120	120	120	120	120	120	120		
Scott Bond, J/m ²	min. 110	145	145	145	145	145	145	145	145	145	145	TAPPI 569	
Cobb 60, g/m ² , Top	max. 60	30	30	30	30	30	30	30	30	30	30	ISO 535	
Cobb 60, g/m ² , Reverse	max. 60	30	30	30	30	30	30	30	30	30	30		

All properties according to Fors Mill measurements from board machine production.
Laboratory test climate 23°C/50% RH (According to ISO 187).
Tolerances based upon 95% confidence limits, apply to delivered reel/pallet average.



Performa Brilliance Linen™

Embossed fully coated CTMP board with light coated reverse

Certificates

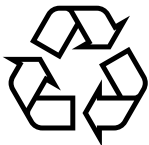
Quality management ISO 9001
Environmental management ISO 14001
Product safety FSSC 22000
Health and safety OHSAS 18001
Energy management ISO 50001
EU Ecolabel registration SE/011/006, the ecological criteria for Copying and Graphic Paper 2011/333/EY, L149/12, 8.6.2011



FSC and PEFC certified board available upon request.

The EU Ecolabel confirms that the board fulfils the European Commission's ecological criteria for copying and graphic paper and is therefore only available for graphical end uses.

EU Ecolabel available upon request on graphical end uses.



Paperboard is recyclable

Key characteristics and main enduses

The Performa Brilliance Linen embossing pattern gives an exclusive look to the board. Performa Brilliance Linen is typically used for greeting cards, calendars and other graphical applications, but also when the goal is to create packaging with special eye-catching attractiveness. The key characteristics of Performa Brilliance Linen include high brightness, excellent smoothness and great visual appearance. The board offers the most superior whiteness in the FBB market on both the top and reverse side.

Storage recommendations

For optimal printing results, the moisture proof wrapping should not be removed until the board has reached the temperature of the press room.

Pallet/Reel Weight (kg)	Difference in temperature between board and press room (press room temp. approx. 20°C)		
	10°C	20°C	30°C
400 kg	2 days	2 days	3 days
800 kg	2 days	3 days	4 days
1200 kg	2 days	4 days	5 days

The product properties, according to the specifications, are guaranteed for 12 months after the production date. In order to ensure product safety, the product must be well wrapped and stored in its original cover indoors, sheltered from rain and snow. The recommended storage conditions are 50-55% relative humidity and 20-23°C.

