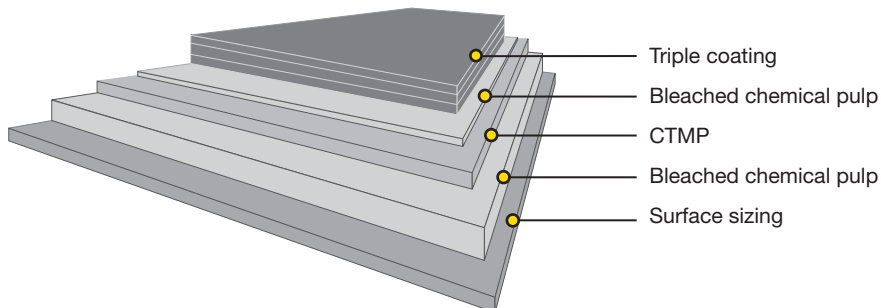


Kopparwhite™ T LS

Fully coated CTMP board with uncoated reverse



Issued: 12.2016
Cancels: 11.2015

Technical specification

Property / Unit	Tolerance			Standards	
		180	200	215	ISO 536
Grammage, g/m ²	+3%/-5%				
Thickness, μm	±5%	275	305	330	ISO 534

All properties according to Fors Mill measurements.

Test climate 23°C/50% RH (according to ISO 187). Tolerances based upon 95 % confidence limits, apply to reel/pallet average. In order to verify, reel/pallet average shall be based on 5 single measurements randomly sampled within the reel/pallet. These averages will be for at least 19 of 20 reels/pallets within the specification limits.

Certificates

Quality management ISO 9001
 Environmental management ISO 14001
 Product safety ISO 22000
 Health and safety OHSAS 18001
 Energy management ISO 50001
 Forest certification and Chain-of-Custody, FSC® (logo licence number FSC-C105192), PEFC™ (logo licence number PEFC/02-31-71)

Paperboard is recyclable 