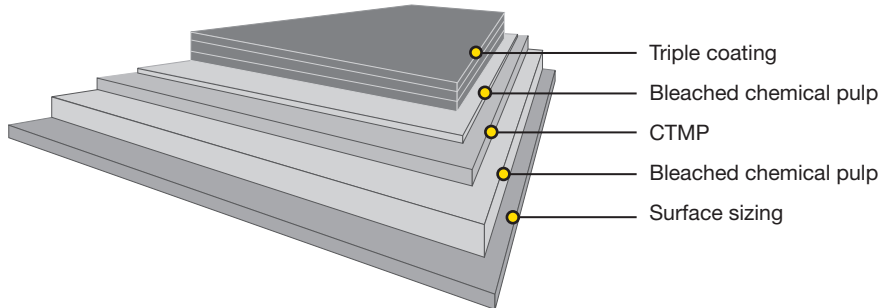


## Fully coated CTMP board with uncoated reverse



Issued: 12.2016  
Cancels: 01.2014

### Technical specification

Property / Unit	Tolerance	Standards	
Grammage, g/m <sup>2</sup>	+3%/-5%	210	ISO 536
Thickness, μm	±5%	330	ISO 534

All properties according to Fors Mill measurements.

Test climate 23°C/50% RH (according to ISO 187). Tolerances based upon 95 % confidence limits, apply to reel/pallet average. In order to verify, reel/pallet average shall be based on 5 single measurements randomly sampled within the reel/pallet. These averages will be for at least 19 of 20 reels/pallets within the specification limits.

#### Certificates

Quality management ISO 9001  
Environmental management ISO 14001  
Product safety ISO 22000  
Health and safety OHSAS 18001  
Energy management ISO 50001  
Forest certification and Chain-of-Custody, FSC® (logo licence number FSC-C105192), PEFC™ (logo licence number PEFC/02-31-71)

Paperboard is recyclable 