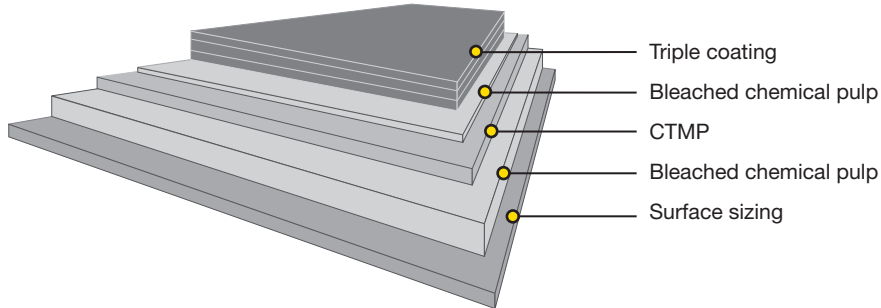


Fully coated CTMP board with uncoated reverse



Issued: 12.2016
Cancels: 12.2013

Technical specification

Property / Unit	Tolerance					Standards	
	+3%/-5%	180	200	210	220		230
Grammage, g/m ²						ISO 536	
Thickness, μm	±5%	280	320	335	350	365	ISO 534

All properties according to Fors Mill measurements.

Test climate 23°C/50% RH (according to ISO 187). Tolerances based upon 95 % confidence limits, apply to reel/pallet average. In order to verify, reel/pallet average shall be based on 5 single measurements randomly sampled within the reel/pallet. These averages will be for at least 19 of 20 reels/pallets within the specification limits.

Certificates

Quality management ISO 9001
Environmental management ISO 14001
Product safety ISO 22000
Health and safety OHSAS 18001
Energy management ISO 50001
Forest certification and Chain-of-Custody, FSC® (logo licence number FSC-C105192), PEFC™ (logo licence number PEFC/02-31-71)

Paperboard is recyclable 