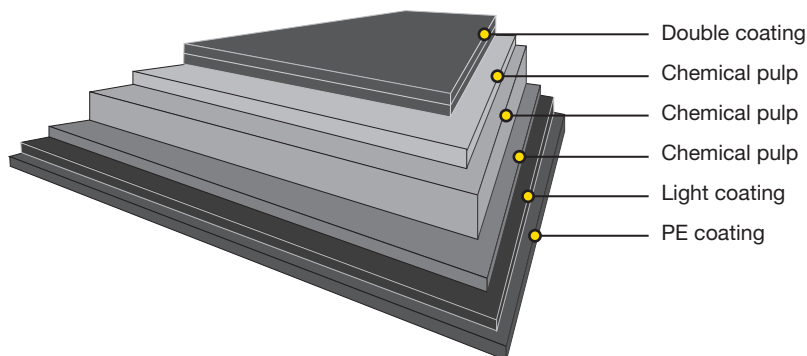


Coated SBS board with light coating on reverse



Issued: 02.2017
Cancels: 10.2014

Technical specification

	Tolerance	190+15	210+15	230+15	250+15	275+15	300+15	330+15	350+15	380+15	Standards
Polymer coated board:											
Grammage, g/m ²		205	225	245	265	290	315	345	365	395	ISO 536
PE Reverse, g/m ²		15	15	15	15	15	15	15	15	15	Mill method
Thickness, µm		213	243	283	313	343	378	428	458	498	ISO 534
Baseboard:											
Grammage, g/m ²	±4%	190	210	230	250	275	300	330	350	380	ISO 536
Thickness, µm	±4%	200	230	270	300	330	365	415	445	485	ISO 534
Bending stiffness DIN 5° MD, mNm	-15%	6.4	8.9	13.6	17.9	23.0	31.9	42.5	49.3	62.9	
Bending stiffness DIN 5° CD, mNm	-15%	3.0	4.3	6.4	8.5	11.1	15.3	20.4	23.0	29.8	
Bending moment Taber 15° MD, mNm	-15%	3.6	5.1	7.7	10.1	13.0	18.1	24.2	28.0	35.7	
Bending moment Taber 15° CD, mNm	-15%	1.7	2.4	3.6	4.8	6.3	8.7	11.6	13.0	16.9	
Bending resistance L&W 15° MD, mN	-15%	75	105	160	210	270	375	500	580	740	ISO 2493-1
Bending resistance L&W 15° CD, mN	-15%	35	50	75	100	130	180	240	270	350	ISO 2493-1
Moisture, %		6.5	6.5	6.5	6.5	6.5	6.5	6.0	6.0	6.0	ISO 287
ISO Brightness C/2°, %, Top		95	95	95	95	95	95	95	95	95	ISO 2470-1
ISO Brightness C/2°, %, Reverse		93	93	93	93	93	93	93	93	93	ISO 2470-1
CIE Whiteness D65/10°, Top		135	135	135	135	135	135	135	135	135	ISO 11475
CIE Whiteness D65/10°, Reverse		130	130	130	130	130	130	130	130	130	ISO 11475
L* D65/10°, Top		96,5	96,5	96,5	96,5	96,5	96,5	96,5	96,5	96,5	
a* D65/10°, Top		2.5	2.5	2.5	2.5	2.5	2.5	2.5	2.5	2.5	ISO 5631-2
b* D65/10°, Top		-10,5	-10,5	-10,5	-10,5	-10,5	-10,5	-10,5	-10,5	-10,5	ISO 5631-2
Surface Smoothness PPS 10, µm, Top	max 1.4	0.9	0.9	0.9	0.9	0.9	0.9	0.9	0.9	0.9	ISO 8791-4
Surface Smoothness PPS 10, µm, Reverse		<4.0	<4.0	<4.0	<4.0	<4.0	<5.0	<5.0	<5.0	<5.0	ISO 8791-4
Surface Smoothness Bendtsen, ml/min, Top		20	20	20	20	20	20	20	20	20	ISO 8791-2
Surface Smoothness Bendtsen, ml/min, Reverse		<100	<100	<200	<200	<200	<200	<300	<300	<400	ISO 8791-2
Scott Bond, J/m ²		220	220	220	220	220	220	220	220	220	TAPPI 569 om-09
Gloss 75°, %, Top		48	48	48	48	48	48	48	48	48	ISO 8254-1
Robinson chocolate test		<1 for one year storage in reels/pallets									EN 1230-2

All properties according to Imatra Mill measurements.

Test climate 23°C/50% RH (according to ISO 187). In order to verify, reel/pallet average shall be based on 5 single measurements randomly sampled within the reel/pallet. These averages will be for at least 19 of 20 reels/pallets within the specification limits.

Certificates

Quality management ISO 9001
Environmental management ISO 14001
Product safety ISO 22000
Health and safety OHSAS 18001
Energy management ISO 50001
Forest certification and Chain-of-Custody, FSC® (logo licence number FSC-C105192), PEFC™ (logo licence number PEFC/02-31-71)

Paperboard is recyclable 