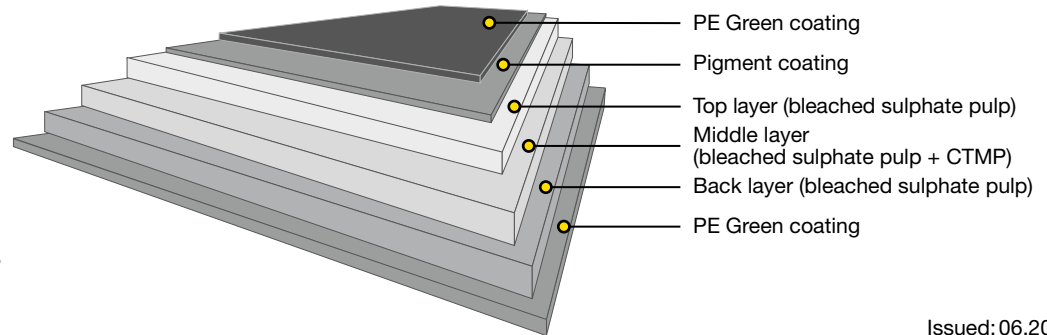


Cupforma Special 2PE Green is a board with a three layer fibre construction including CTMP (chemi-thermomechanical pulp) in the middle layer and a fully coated top side. It has a PE Green coating on both sides.



Issued: 06.2018
Cancels:

Technical specification

	12+195+15	12+210+15	12+230+15	12+255+15	12+270+15	12+295+15	12+320+15	12+350+15	Standard
Polymer coated board:									
Grammage, g/m ²	222	237	257	282	297	322	347	377	ISO 536
PE Green topside, g/m ²	12	12	12	12	12	12	12	12	Mill method
PE Green reverse, g/m ²	15	15	15	15	15	15	15	15	
Thickness, µm	292	302	342	372	412	452	492	532	ISO 534
Baseboard:									
Grammage, g/m ²	195	210	230	255	270	295	320	350	ISO 536
Thickness, µm	260	280	320	350	390	430	470	510	ISO 534
Bending resistance L&W 15° MD, mN	120	155	215	270	360	475	600	760	ISO 2493-1
Bending resistance L&W 15° CD, mN	55	70	95	125	165	210	270	340	
Moisture %	6.5	6.5	6.5	6.5	6.5	6.5	6.5	6.5	ISO 287
Brightness D65/10, %, Top	85	85	85	85	85	85	85	85	ISO 2470-2
Surface Smoothness, Bendtsen, ml/min	40	40	40	40	50	50	50	50	ISO 8791-2
Stretch CD, %	6.0	6.0	6.0	6.0	6.0	6.0	6.0	6.0	ISO 1924-3



Cupforma Special™ 2PE Green

Pigment coated board

Certificates

- Quality management ISO 9001
- Environmental management ISO 14001
- Product safety FSC 22000
- Product safety ISO 22000
- Health and safety OHSAS 18001
- Energy management ISO 50001



FSC and PEFC certified board available upon request.



Paperboard is recyclable

Key characteristics and main enduses

Cupforma Special 2PE Green is a sustainable choice; a high-quality carton board specially designed for cups and for very high requirements on printing. It is food-safe, ecological, and works smoothly and consistently in cup converting. It is also economical as the board's structure provides the required stiffness; resulting in light, yet functional cups. The fully clay-coated topside is very smooth, which ensures extremely high-quality printing results in flexographic, offset, and digital printing to showcase brands. Cupforma Special 2PE Green is fully renewable cup board. Combined with PE Green coating on both sides, Cupforma Special is sealed easily into a cup and used for ice cream cups and packaging that withstands freezing and thawing.

Printing and finishing techniques

The product can be used for different printing techniques such as offset, flexo and digital printing. It is important to check possible limitations of the printing and converting equipment and ensure that the basis weight of the board fits the tooling to be used. Since a wide variety of digital printing equipment is available in the market, it is important that a new commercial digital print job is always preceded by a trial run, including all required printing and converting process phases.

Storage recommendations

For optimal printing results, the moisture proof wrapping should not be removed until the board has reached the temperature of the press room.

Pallet/Reel Weight (kg)	Difference in temperature between board and press room (press room temp. approx. 20°C)		
	10°C	20°C	30°C
400 kg	2 days	2 days	3 days
800 kg	2 days	3 days	4 days
1200 kg	2 days	4 days	5 days

The product properties, according to the specifications, are guaranteed for 12 months after the production date. In order to ensure product safety, the product must be well wrapped and stored indoors, sheltered from rain and snow. The recommended storage conditions are 50-55% relative humidity and 20-23° C.

For the Corona treatment, we recommend using the board within 12 months of the production date; after this period, the treatment level should be tested before printing or gluing.

