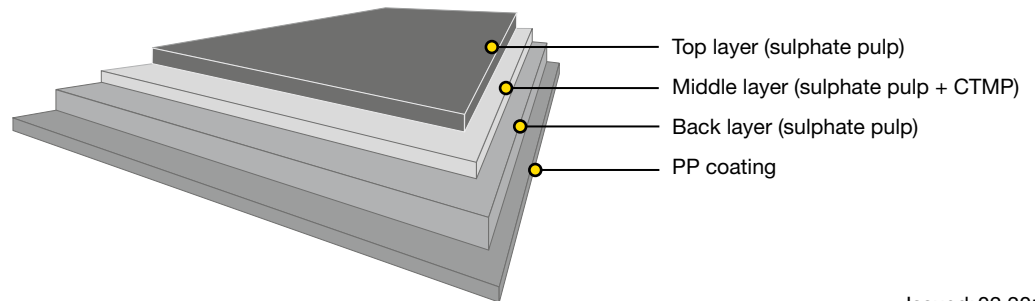


Cupforma Natura™ PP

Bleached cup board

Cupforma Natura PP is a virgin-fibre bleached board with a three layer fibre construction and with CTMP (chemi-thermomechanical pulp) in the middle layer and PP coating on the reverse side.



Issued: 02.2018
Cancels: 08.2017

Technical specification

	184+30	195+30	214+30	232+30	260+30	295+30	330+30	Standard
Polymer coated board:								
Grammage, g/m ²	214	225	244	262	290	325	360	ISO 536
PP reverse, g/m ²	30	30	30	30	30	30	30	Mill method
Thickness, µm	275	300	325	355	395	435	475	ISO 534
Baseboard:								
Grammage, g/m ²	184	195	214	232	260	295	330	ISO 536
Thickness, µm	250	275	300	330	370	410	450	ISO 534
Bending resistance L&W 15° MD, mN	95	130	160	215	290	380	500	ISO 2493-1
Bending resistance L&W 15° CD, mN	43	55	75	95	130	170	230	
Moisture %	8.0	8.0	8.0	8.0	8.0	8.0	8.0	ISO 287
Brightness D65/10, %, Top	83	84	84	84	84	84	84	ISO 2470-2
Surface Smoothness, Bendtsen, ml/min	300	300	300	350	400	450	500	ISO 8791-2
Stretch CD, %	6.0	6.0	6.0	6.0	6.0	6.0	6.0	ISO 1924-3



Cupforma Natura™ PP

Bleached cup board

Certificates

Quality management ISO 9001
Environmental management ISO 14001
Product safety FSC 22000
Product safety ISO 22000
Health and safety OHSAS 18001
Energy management ISO 50001



FSC and PEFC certified board available upon request.



Paperboard is recyclable

Key characteristics and main enduses

Cupforma Natura PP is a sustainable choice; a high-quality carton board designed especially for cups. It is food-safe, ecological, and works smoothly and consistently in cup converting. It is also economical as the board's structure provides the required stiffness; resulting in light, yet functional cups. Cupforma Natura delivers excellent results in flexographic, offset, and digital printing to showcase brands. Combined with PP coating on one side, Cupforma Natura can be used for cups suitable for heating in a microwave oven which enhances totally new possibilities for quick eating on-the-go.

Printing and finishing techniques

The product can be used for different printing techniques such as offset, flexo and digital printing. It is important to check possible limitations of the printing and converting equipment and ensure that the basis weight of the board fits the tooling to be used. Since a wide variety of digital printing equipment is available in the market, it is important that a new commercial digital print job is always preceded by a trial run, including all required printing and converting process phases.

Storage recommendations

For optimal printing results, the moisture proof wrapping should not be removed until the board has reached the temperature of the press room.

Pallet/Reel Weight (kg)	Difference in temperature between board and press room (press room temp. approx. 20°C)		
	10°C	20°C	30°C
400 kg	2 days	2 days	3 days
800 kg	2 days	3 days	4 days
1200 kg	2 days	4 days	5 days

The product properties, according to the specifications, are guaranteed for 12 months after the production date. In order to ensure product safety, the product must be well wrapped and stored indoors, sheltered from rain and snow. The recommended storage conditions are 50-55% relative humidity and 20-23° C.

For the Corona treatment, we recommend using the board within 12 months of the production date; after this period, the treatment level should be tested before printing or gluing.

