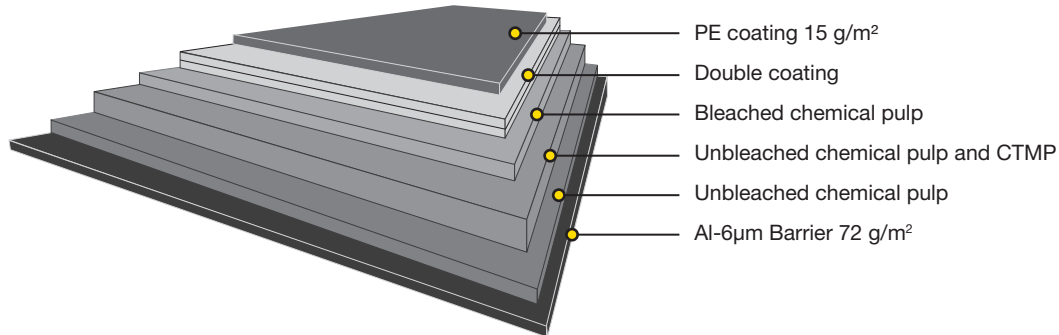


CKB™ OxyBarr 6µm-Al

Multilayer kraft back board with oxygen barrier



Issued: 08.2015
Cancels: 01.2015

Technical specification

Property / Unit	Tolerance	15+175+72	15+195+72	15+220+72	15+235+72	15+255+72	15+290+72	15+315+72	15+350+72	15+380+72	Standards
Grammage, g/m ²	+3%/-5%	262	282	307	322	342	377	402	437	467	ISO 536
Thickness, µm	±5%	310	365	425	465	500	555	605	665	730	ISO 534
Bending resistance L&W 15° MD, mN	-15%	167	243	341	415	521	732	910	1123	1337	ISO 2493
Bending resistance L&W 15° CD, mN	-15%	84	131	191	238	303	399	498	619	740	ISO 2493
Scott Bond, J/m ²	min. 100	175	175	175	175	175	175	175	175	175	TAPPI 569 pm-00
Surface Smoothness, PPS 10, µm	max. 2,3, 2,5	1.5	1.5	1.5	1.5	1.5	1.5	1.5	1.5	1.5	ISO 8791-4
ISO Brightness C/2°, %	min. 78	80	80	80	80	80	80	80	80	80	ISO 2470
Moisture, %	±1	4.7	4.8	5.0	5.5	5.6	6.2	6.7	7.2	7.7	ISO 287

Produced with RaZoR concept.
Tailor made laminate for Straight From the Reel.
O₂TR and WVTR <1 cc/m²/24h

All properties according to Skoghall Mill measurements.

Wet tearing resistance is typically 25-30 % of dry tearing resistance, except for CKB 380 gsm where the wet tearing resistance is 60 % of dry tearing resistance.

DIN stiffness irregularly measured according to DIN 53121 and value to be treated as indication only. Bending moment Taber 15° calculated from Bending resistance L&W 15°. Edge wicking measured in distilled water at 23°C, 10 min.

Test climate 23 °C / 50 % RH (according to ISO 187). Tolerances based upon 95 % confidence limits, apply to reel/pallet average. In order to verify, reel/pallet average shall be based on 5 single measurements randomly sampled within the reel/pallet. These averages will be for at least 19 of 20 reels/pallets within the specification limits.

Certificates

Quality management ISO 9001
Environmental management ISO 14001
Product safety FSC 22000
Health and safety OHSAS 18001
Energy management ISO 50001
Forest certification and Chain-of-Custody, FSC® (logo licence number FSC-C105192), PEFC™ (logo licence number PEFC/02-31-71)

Paperboard is recyclable 